



Heritage & Innovation in Textiles

WASHTEC

Colour Fastness To Washing Tester

Elastocon®

Tvinnargatan 25 • SE-507 30 Brämhufl
Tfn: +46 33 323 39 00 • info@elastocon.se
www.elastocon.se

Washtec is available in single size pot (P) or dual size pot (PA2) options, allowing you to **choose the best configuration** for your testing requirements.

Washtec PA2 has been **exclusively designed** to allow the user to utilise equal numbers of 550ml (ISO) pots and 1200ml (AATCC) pots.



FORM

Constructed from high grade stainless steel for long life, the Washtec incorporates a number of safety and other features:

- Washtec P is available in 8 pot, 16 pot and 24 pot capacities (ISO)
- Washtec PA2 is available in 8 pot (4+4) 16 pot (8+8) and 24 pot (12+12) capacities (ISO & AATCC)
- Lid interlock, latch and drive motor safety interlock
- Filling by touchscreen
- Industrial quality motor specification
- Chemical resistant pot seals are available for solvent testing

FUNCTION

Programming options are simple and easy to input:

- Push and twist action provides a safe and efficient method of loading/unloading the pots
- System control and temperature calibration accuracy better than $\pm 1^{\circ}\text{C}$
- Temperature control with a $\pm 0.25^{\circ}\text{C}$ accuracy
- Temperature range from ambient 20°C to 98°C
- Touchscreen Controller allowing multiple time, temperature and gradient settings

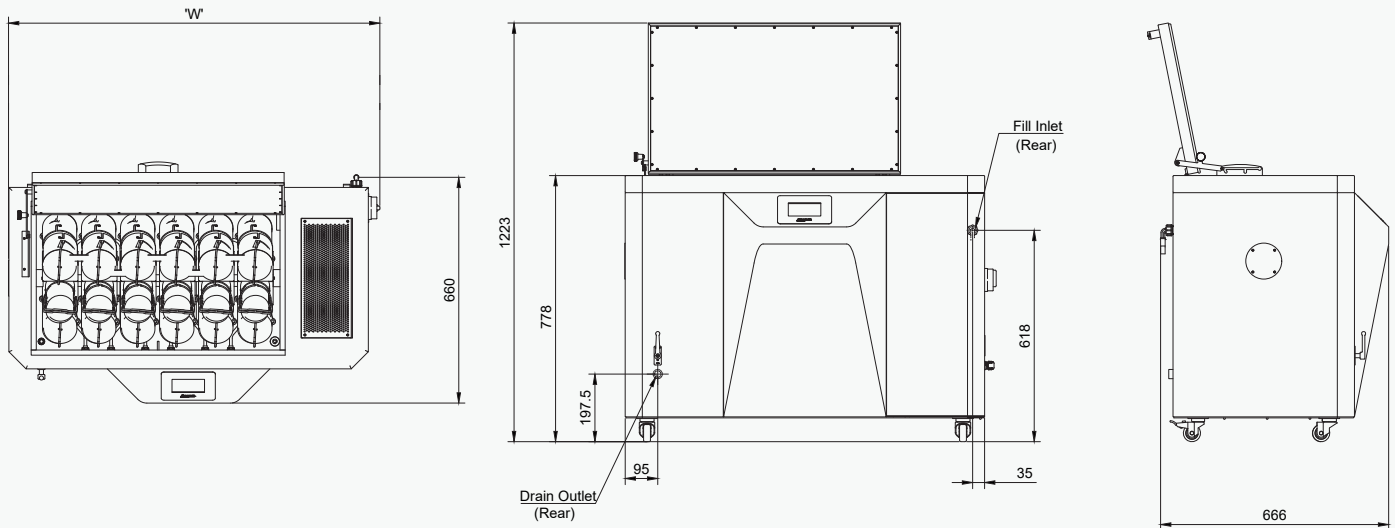
Available in
8 pot, 16 pot
and 24 pot
capacities



DIMENSIONS & WEIGHTS

Model	Height (H) ¹	Width (W)	Depth (D)	Weight ²
8 Pot	1223 mm	625 mm	660 mm	95 kg
16 Pot	1223 mm	845 mm	660 mm	120 kg
24 Pot	1223 mm	1085 mm	660 mm	155 kg

1: Height with Lid Open
2: Including Full Set of 550ml & 1200ml Pots



SPECIFICATIONS

Model	Voltage	Frequency	Phases	Amp	Wattage	Air Supply	Water Supply
8 Pot	220V to 240V	50 or 60Hz	One (1)	13A*	3,000W	N/A	Cold Fill & Drain
16 Pot	220V to 240V	50 or 60Hz	One (1)	27A*	6,000W	N/A	Cold Fill & Drain
24 Pot	220V or 400V	50 or 60Hz	Three (3)	22A*	13,000W	N/A	Cold Fill & Drain

* Amp Per Phase

STANDARDS

Marks & Spencer	ISO Standard	AATCC	Other Tests
<p>M&S C04 Colour fastness to washing using detergent</p> <p>M&S C05 Colour fastness to dry cleaning</p> <p>M&S C10A Colour fastness to oxidative bleach damage</p> <p>M&S C37 Colour fastness to chlorinated water (swimwear)</p> <p>M&S P12A Fabric spillage (including all stretch wovens) Fixed load method</p>	<p>ISO 105-C06 Domestic & commercial laundering</p> <p>ISO 105-C08 Using a non-phosphate detergent</p> <p>ISO 105-C09 Oxidated bleach response using a non-phosphate detergent</p> <p>ISO 105-C10 Washing with soap or soap & soda</p> <p>ISO 105-C12 Industrial Laundering</p> <p>ISO 105-D01 Drycleaning using perchloroethylene solvent</p> <p>ISO 105-E03 Chlorinated water</p> <p>ISO 105-E12 Alkaline milling</p> <p>ISO 105-X05 Organic Solvents</p>	<p>AATCC 61 Color fastness to Laundering (Accelerated)</p> <p>AATCC 86 Drycleaning: Durability of Applied Designed and Finishes</p> <p>AATCC 132 Color fastness to Dry Cleaning</p> <p>AATCC 151 Soil Redeosition: Launder-Ometer method</p> <p>AATCC 190 Color fastness to Home Laundering with activated oxygen bleach detergent (Accelerated)</p>	<p>Woolmark (TWC) TM 177, TM 193, TM 199, TM 240, TM 241, TM 250, TM 294, TM 300</p> <p>Next TM 2, TM 2A TM 3, TM 3A, TM 5</p> <p>JIS (Japanese Industrial Standards) JIS L 0844 JIS L 0860</p>
<p>The Roaches Washtec (Wash Wheel) is an approved piece of apparatus by Marks & Spencer's Colour Fastness tests</p>		<p>The widely recognised international ISO 105 standard covers many tests relating to Colour Fastness of textiles</p>	<p>The Roaches Washtec (Launder-Ometer) conforms to AATCC Color fastness and dry cleaning test procedures</p>

Roaches machines meet specifications set by leading retailers such as:



MARKS &
SPENCER



DECATHLON

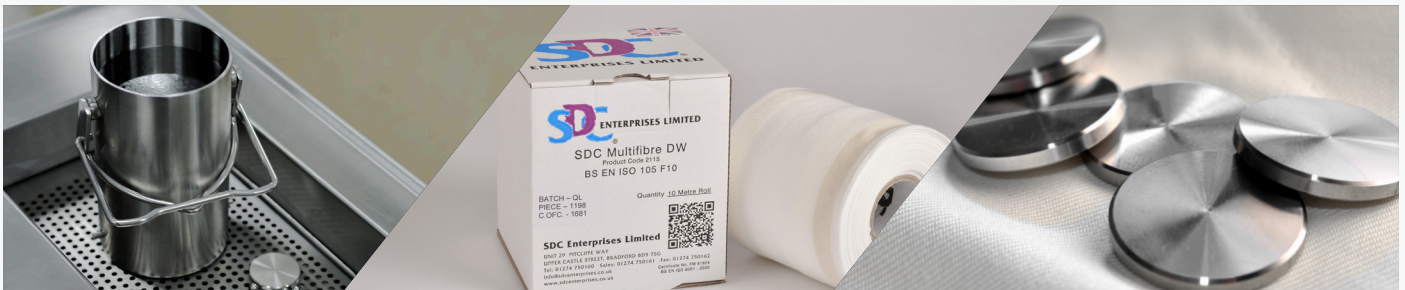
next

George.



TEST MATERIALS

Order Code	Description
2000-0001	ISO Grey Scale for Change in Colour (ISO 105 A02)
2000-0002	ISO Grey Scale for Assessing Staining (ISO 105 A02)
2000-0003	AATCC Grey Scale for Change in Color (AATCC EP1)
2000-0004	AATCC Grey Scale for Assessing Staining (AATCC EP2)
2000-3001	Stainless Steel Balls for Washing - Pack of 100
2000-3002	Stainless Steel Discs for Dry Cleaning - Pack of 12
2000-3003	Multifibre DW Adjacent Fabric (ISO 105 F10) - 10 Metre Roll
2000-3004	Multifibre DW Adjacent Fabric (ISO 105 F10) - 50 Metre Roll
2000-3005	Multifibre DW Adjacent Fabric (ISO 105 F10) 10cm x 4cm - Pack of 250
2000-3006	Multifibre DW Adjacent Fabric (ISO 105 F10) 10cm x 5cm - Pack of 200
2000-3007	Multifibre LyoW™ Adjacent Fabric (M&S C03) - 10 Metre Roll
2000-3008	Multifibre LyoW™ Adjacent Fabric (M&S C03) - 50 Metre Roll
2000-3009	Lid Seal for 550ml ISO Washpot (Silicone)
2000-3010	Lid Seal for 1200ml AATCC Washpot (Silicone)



☎ +44 (0)1924 420083 ✉ sales@roaches.co.uk 🌐 www.roaches.co.uk

Unit 11 Springwell 27, Dark Lane, Birstall, West Yorkshire, England, WF17 9LN